

ROC

Instruction Manual

150 °C Nano Steam Care Ironing System

Dear customer:

Welcome to use 150°C Nano Steam Care Ironing System!

Please read the instruction manual carefully, it will tell you the specific use of the product and precautions before use!

You'll start on an amazing journey! Enjoy care for your beauty and health!

The main function and working principle:

150 °C nanoscale dry microfine steam care ironing system, relying on its own steam generator (with the secondary heating of the nozzle and the steam channel structure) to produce 150 °C Nano-scale dry microfine steam (iron nozzle), acting on all knitted and fur clothing and household products, to achieve instant:

- ① Killing viruses, bacteria, mites, remove odor up to 99.99%;
- ② Care fabric - instantly activate fabric fiber activity, restore natural fluff and texture, remove wrinkles;
- ③ Recover fabric shrinkage.
- ④ Apply to any fabric, no need to adjust the temperature in use.
- ⑤ With the suction/blowing function of the ironing board, it synchronously realizes drying, cooling and shaping, after ironing, clothes are dry and ready to wear immediately.

Remarks: When ironing, please contact the fabric under the state of steam release (iron), do not touch or rub the fabric back and forth with iron or hang nozzle without releasing steam, which will cause damage to the fabric!

Power on and standby

- 1、After starting, the control system will automatically pump water from the water tank to the generator for about 90 seconds, and there will be a "buzzing" pump water sound, which is a normal phenomenon:
- 2、After the completion of the pumping water, heating and pressurization is about 150 seconds, and sound of boiling water will be heard at the same time, which is a normal phenomenon;
- 3、During heating or pumping water to generator, if the water tank is short of water, the machine will stop working. Under the power button of the host, the red water shortage alarm light will flash and there will be a "di, di, di" alarm sound, at this time, add water to the water tank. If machine can't reset after adding water, please shut down and restart to reset the machine.
- 4、After starting up, the process of pumping water, It takes about 3-5

minutes in total, and the blue steam indicator in the lower right corner of the host power button lights up and you can use it! During using, the blue steam indicator light is off or on, please ignore.

- 5、After the water pumping is completed, the nozzle (iron or hanging nozzle) begins to preheat, and the red indicator light of iron will light up, and the red indicator light will turn off after completion of preheating. In use, the red steam indicator light is off or on, please ignore.

- 6、The machine will automatically shut down if without any operation within 10 mins.

- 7、Press the fan button for 3 seconds, the power blue indicator light will change from solid to flash state, and the machine will enter the long standby state, that is, the machine will always be in standby state if without shutdown; Press the fan button for 3 seconds again, the long standby state is removed, the power indicator light turns to solid.

About alternative using of ironing board for suction (wind direction down) and blowing (wind direction up) function

1、Blowing

Fabric with stuff or texture on the surface of the items, choose blowing function;

Article style cannot be flattened, such as waist, pleats, etc., choose blowing function;

2、Suction

Items that need to be shaped or flat can choose suction function, such as shirts, suits, trousers etc.

3、Wind direction switching (suction/blowing)

Touch the round button on the handle of the iron, the host will be accompanied by a sound of “di” to complete, the factory default is blowing mode.

Three methods of operation during the ironing process

- 1、Under the condition of blowing, the bottom of the nozzle should be kept 2-3cm away from the surface of the article to release steam and restore it, such as silk, thin wool, cashmere, fur and other animal protein fabrics.

- 2、Under the condition of blowing, when the bottom of the nozzle gently touches the surface of the fabric, steam released to restore the fabric fiber, and the pressure formed between the blowing and ironing helps restore, smooth and shape, such as chemical fiber lining, containing chemical fiber shirts.

- 3、Under the suction state, when releasing steam, the bottom of the nozzle is pressed properly on the surface of the fabric for smoothness and shaping, such as the collar, cuff, the trouser line of the trousers and so on.

The steam generator drains water regularly

- 1、Every 7-8 days, the water in the generator is drained once, the purpose is to drain the minerals in the water, the residual particles and the crystalline particles of minerals under high temperature and high pressure, so as to prevent the blockage of the airway and cause functional failure.

- 2、If it is not used for a long time (more than 7 days), please empty the water in the generator and the water tank to prevent the water from deteriorating and causing machine failure;

Drain the condensed water from the residual steam in the steam pipe

- 1、During the interval use, please press the steam button first, spray steam continuously for more than 5 seconds in the air, and then iron the fabric after repeated operation twice. The purpose is to remove the residual steam condensation in the steam pipe (length 225cm) connected with the nozzle (iron or hanging nozzle) and the main engine.
- 2、If you do not do the above action and directly iron the fabric, there will be water droplets in the steam at the beginning, which is a normal phenomenon, then it will disappear.

Protection soleplate

At the bottom of the steam nozzle (iron and hanging nozzle), there is a black protection soleplate, which is locked together with aluminum alloy at the bottom of the nozzle with screws, the purpose it to protect the fabric and prevent scalding the fabric.

Water requirements

- 1、Filtered water, softened water, purified water can be used, with pure water, can be mixed with an appropriate amount of tap water or mineral water, to maintain the electrical conductivity of water.

- 2、The principle of water level control is based on the conductivity of water to complete, so the water must contain minerals and have conductivity;
- 3、Do not add any chemicals or plant extracts that may change the ph of water into the water tank; That is: can not add any substances other than water; For example, the volume of aromatic or water soluble substances;

Filter device and filter material

- 1、The water tank adopts double filter structure, replaceable and adjustable PH of water filter material;
- 2、The water added to the water tank is filtered and adjusted to the PH suitable for the use of this product;
- 3、Filter material should be replaced regularly, when the color changes from black to red, it is necessary to replace;

Spare sealing ring (GS series)

In the plastic bag of the instruction manual, there is a spare sealing ring to replace the damaged sealing ring.

Ironing board cover

- 1、The ironing board cover is made of pure cotton and 8MM thickness temperature-resistant sponge. It can be washed by machine. After washing, it can be ironed smoothly under suction state;
- 2、During the using, do not place the nozzle on the ironing board cover for a long time, in order to avoid discoloration and damage, leave it for about 3 seconds without any problem, over this time, please place the nozzle on the temperature-resistant tray to the right of the ironing board.
- 3、Ironing board cover is consumable material, after long-term use, the surface will have fading phenomenon (color becomes light, will not be contaminated with the fabric), this is normal.

Height adjustment of ironing board

- 1、The height of the ironing board can be adjusted, and the adjustment range is: 80CM – 100CM;

- 2、Height adjustment of 20CM, the height adjustment distance of each gear is about: 2.23CM;
- 3、When adjusting the height, lift the ironing board directly
- 4、To lower the height, slightly lift the ironing board, and at the same time lift the adjusting rod on both sides of the middle of the ironing board. After unlocking the adjusting rod, lower the height of the ironing board and release the adjusting rod when it reaches the appropriate height;

Replacement the different nozzle (iron or hanging nozzle) (GS series only)

- 1、In use, if you need to replace the iron or hang nozzle, need to shut-down first;
- 2、On the back of the motherboard, dial the lock structure paddle, unlock, and then pull out the plug, and then lower the iron or hanging hot plug that needs to be replaced into the host socket, release the lock structure to unlock the paddle, and lock the plug in the socket;

- 3、After the iron or hanging nozzle is replaced, you need to wait for about one minute to start the machine. The new iron or hanging nozzle must be fully preheated before being used

The use of hanging poles

- 1、The iron or hanging nozzle steam pipe is installed on the annular with groove limit silica gel, the top of the hanging pole U-shaped stainless steel ring is clamped into the limit silica gel groove, adjust the position.
- 2、Steam supply pipe must be hung on the top of the hanging pole to use, otherwise, it will increase friction, pulling, resulting in product damage.

Daily maintenance and troubleshooting

- 1、Basic maintenance of the product is usually done in about a month.
- 2、Specific method:

- ① Mixed 1/3 of white vinegar or citric acid into the water tank, and release steam continuously for more than 15 seconds after preheating. after an interval of 30 seconds, the steam is released continuously for more than 15 seconds again and the steam mixed with acid is used to clean the steam passage.

- ② Let the water mixed with acid stay in the generator for more than 2 hours, and then shut down for more than 2 hours, and wait for the host to cool down completely before dropping water.

- 3、If the steam is not normal, it can be shut down for more than two hours. After the host is completely cooled, the water in the generator and water tank is drained, and then it can be basically ruled out.

Main parameters

Nozzle configuration: flat iron and hanging nozzle QT-BX7 single flat iron)

temperature: 150°C nanoscale dry microfine steam (iron nozzle)

135°C saturated dry steam (hanging nozzle)

Steam Pressure: 3.5BAR(kg)

Steam release: 260 L/min;

Water tank capacity: 1.2 liters;

Generator volume: 1.2 liters;

Host power: 1400W;

Flat iron: 800W;

Hanging nozzle: 800W;

Suction and blowing ironing board::

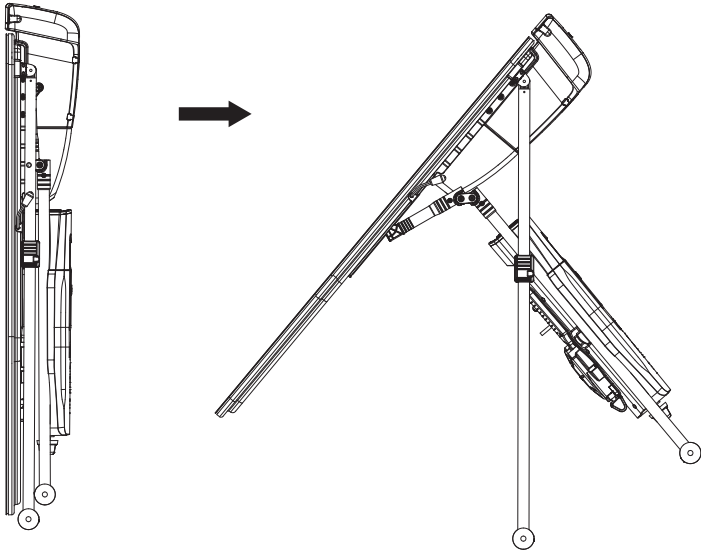
Fan: 3600 rpm;

Fan air volume: 80m³/min;

Blowing pressure: 3.5 BAR (kg);

Suction: 3.5 BAR (kg);

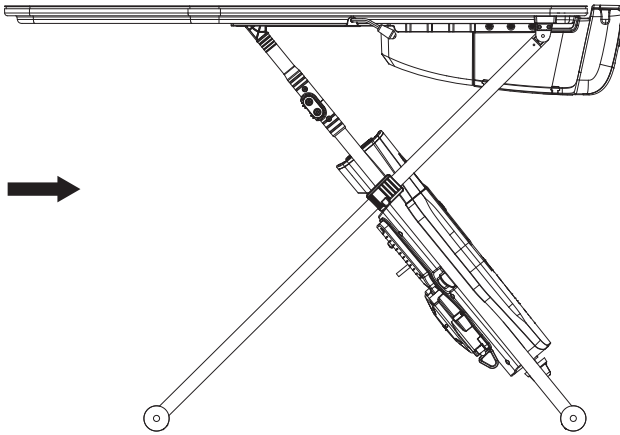
Operation diagram



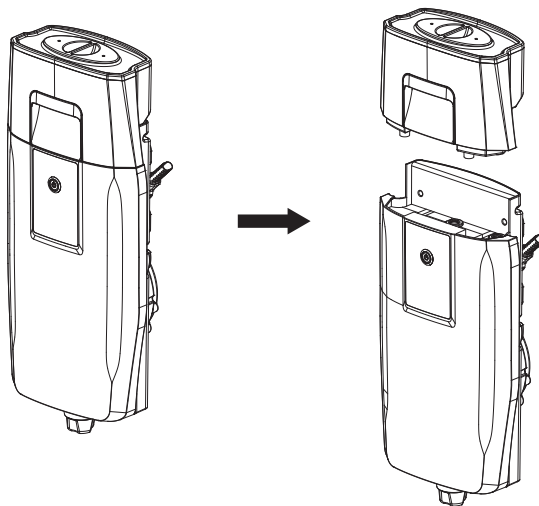
Foldable state

Opening method: hold both ends of the console with the right hand and left hand, lift the console upward with the left hand, and press the console down with the right hand to open the mesh board.

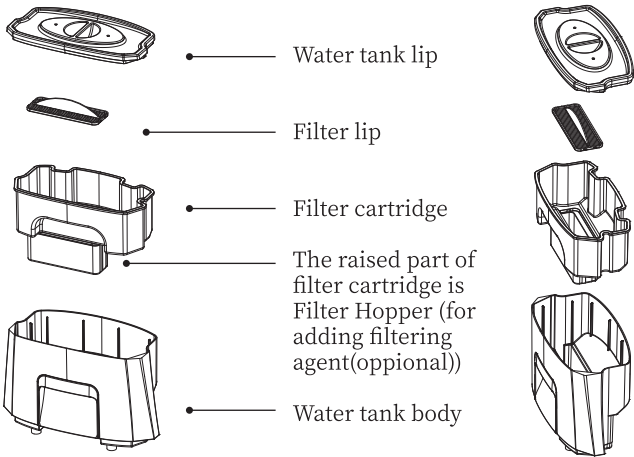
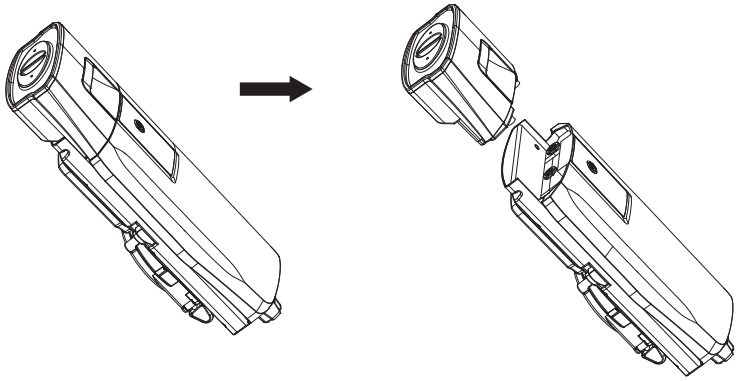
flat ironing



Fully open

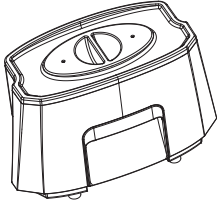


Water tank structure and use

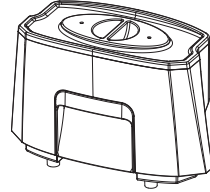


Tank decomposition state (effect 1)

Tank decomposition state (effect 2)



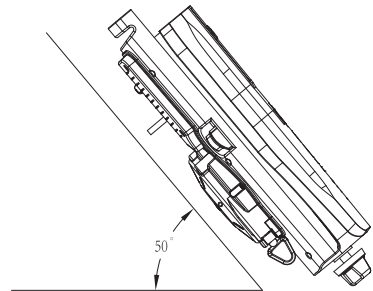
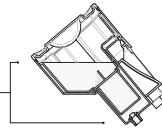
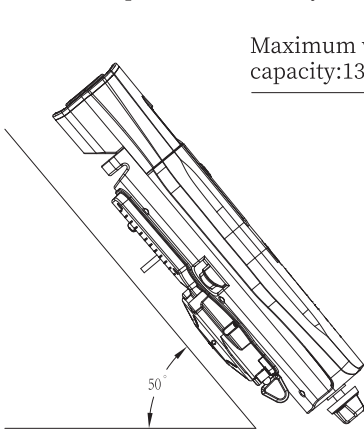
Water tank 3D View(View 1)



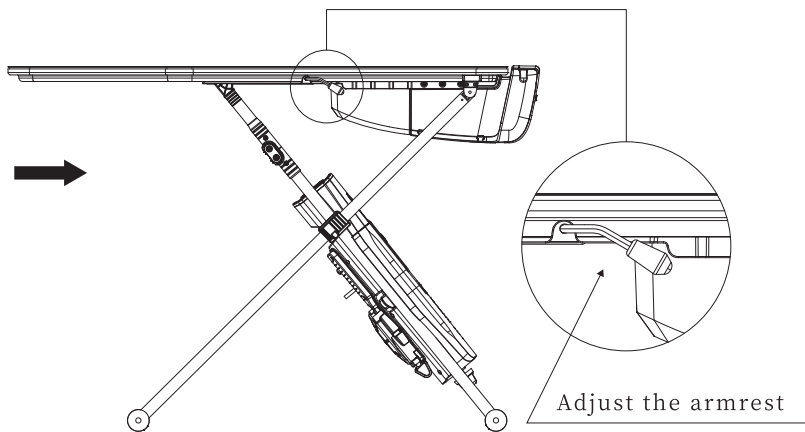
Water tank 3D View(View 2)

Water tank capacity(Two tank types are provided randomly)

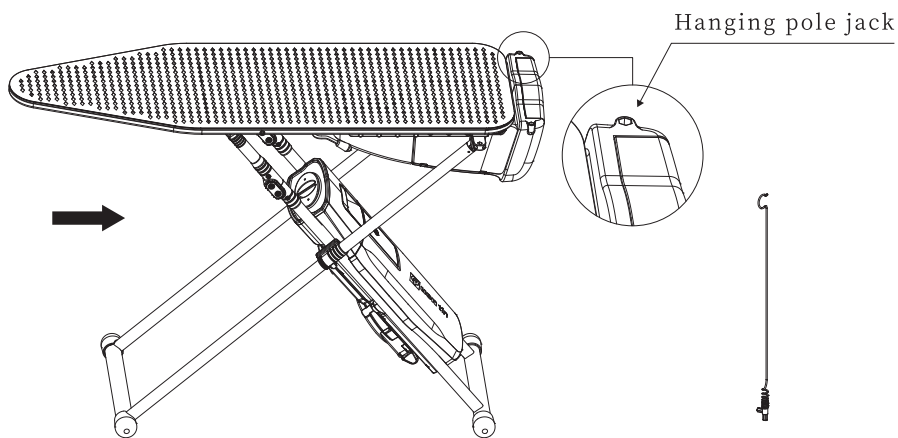
Maximum water capacity:1350mL



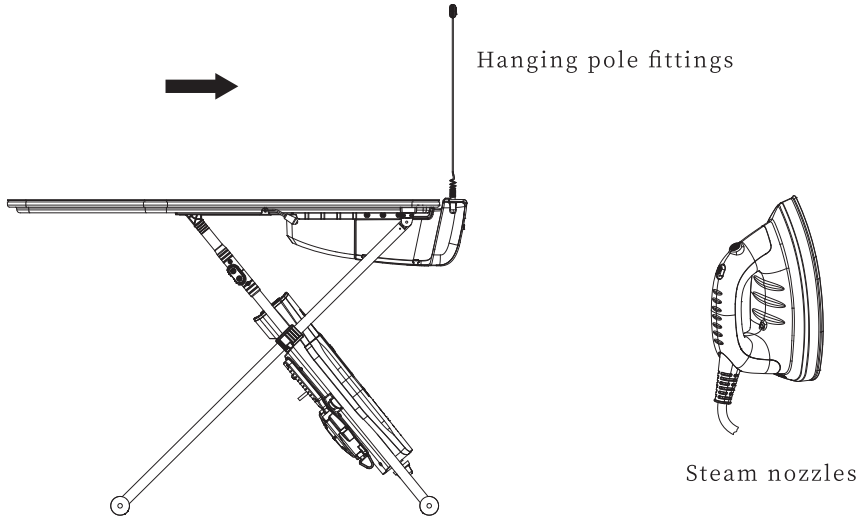
Capacity when tilted



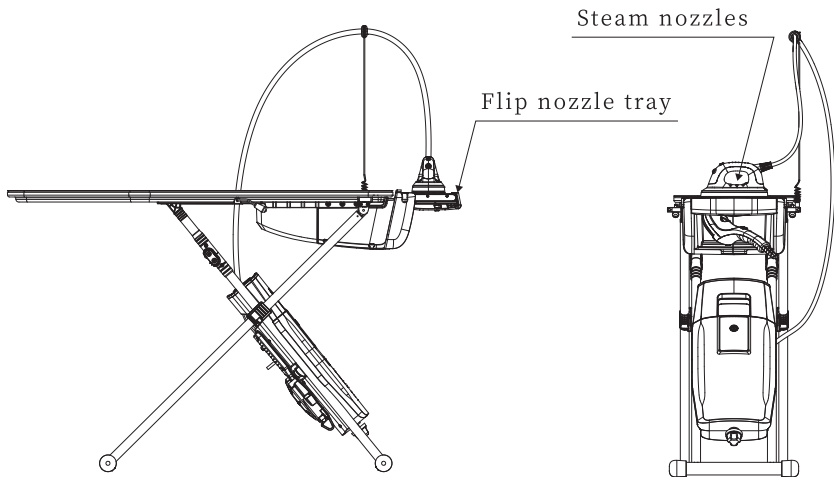
Height adjustment: If you need to adjust the height up and down, you need to hold the handrail lightly, lift up or down the mesh plate, adjust to the required height, and then loosen the handrail, fixed mesh plate, then height adjustment is completed

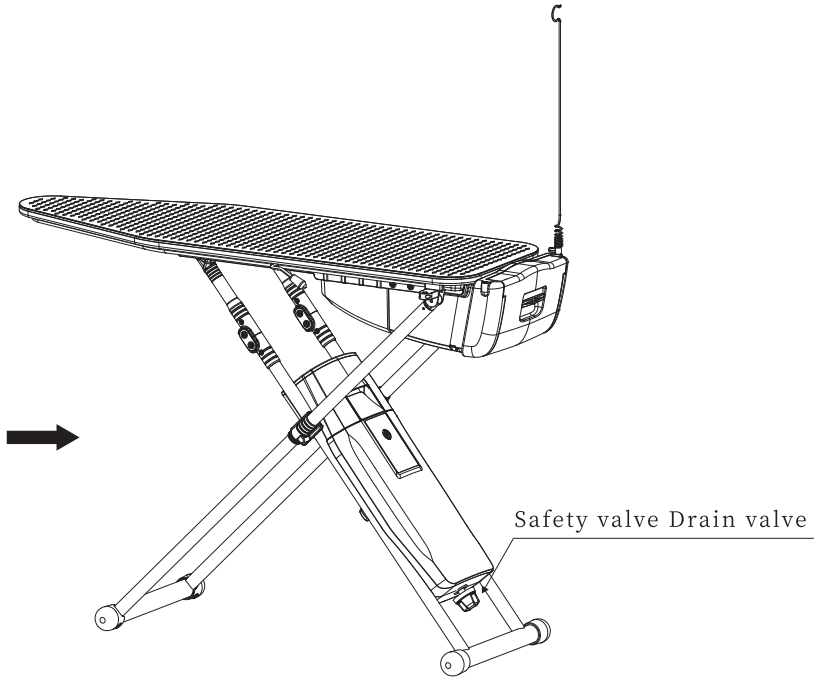


Install the hanging rod: align the rod with the jack.
After installation, it can be used to support the
steam pipe of the steam nozzle.



The effect is complete after the installation is complete





Main engine generator cleaning: During daily use, it is recommended to drain the water inside the steam generator every 7 days to prevent limescale from blocking the airway. Operation method: first completely power off the machine, and wait for the generator temperature to completely cool (about 2 hours), and then unscrew the safety valve by hand for discharge (Note: Prepare your own water storage container before cleaning, and align the container under the safety valve to prevent the water inside the generator from flowing to the ground after opening the safety valve); Shut down for two hours, and after the machine is completely decompressed and cooled, the water is discharged from the "safety valve drain valve".

Special note: instructions on poor visibility of steam ejection

Ironing nozzle release is 150°C Nano Microfine dry steam, because the steam particles are small, the light refractive index is low, so the low visibility of steam will cause the illusion, as if there is no steam or small steam; This is precisely the visual sensory characteristics of the 150°C Nano microfine dry steam, not the small amount of steam or no steam! Please feel free to use.

Important Safety Instructions

1. Please use the standard power supply voltage (220V~50Hz). Using an incorrect voltage may damage the machine. This is considered improper operation and is not covered under warranty.
2. Never share the power source with other high-power appliances.
3. To avoid the risk of electric shock, never immerse the machine, power plug, or power cord in water or any other liquid. Do not use the product near faucets, showers, washbasins, or other wet areas.
4. Place the product on a safe and stable surface to prevent it from tipping over and falling, which could damage the machine.
5. Ensure the environment is dry when using the machine. Do not operate the machine with wet hands or on damp floors.
6. Do not use the machine in flammable or explosive environments to prevent short circuits or explosions.
7. Do not place the power cord on sharp edges to avoid cutting through it. Keep the power cord away from fire and heat sources.
8. In the process of use, the machine must be supervised throughout the whole process and cannot operate without supervision.

9. Before use, fill the water tank until the MAX level. During use, monitor the water level in the tank. Under the state of power off, taking out the water tank and adding water.
10. Turn off the machine first and unplug the machine before cleaning or maintenance when not in use, then grasp the plug to remove it, do not pull the power cord, as this may cause damage. If the power cord is damaged, do not use the machine.
11. Never shorten or attempt to extend the power cord. Do not use the plug board.
12. Be careful of the steam emitted from the nozzle. Never direct steam at people, distant objects, or use the machine when it is damaged, to prevent the risk of steam spray.
13. Do not turn the machine upside down during use, as this may cause hot water to spill out.
14. Please drain the water tank if the machine is not in use for more than one month. Turn off the machine first and wait at least 2 hours for it to cool down completely to avoid scald. Then, drain the water tank, and unscrew the drain valve at the bottom of the machine in order to drain the residual water inside.
15. Before refilling or draining water, cleaning, or when not in use, turn off the machine and unplug it from the power outlet.
16. For indoor use only.
17. Keep the machine away from flammable and chemical substances.
18. Never inject hot water or corrosive cleaners and other liquids into the water tank, as this will damage the machine. Malfunctions resulting from this will void the warranty. It is strongly recommended to use purified water or tap water (distilled water is forbidden).
19. This machine should only be used with original accessories provided by our company. The use of non-original accessories may cause fire, electric shock, or damage to the machine. Our company will not be held liable for any accidents resulting from the use of non-original accessories.